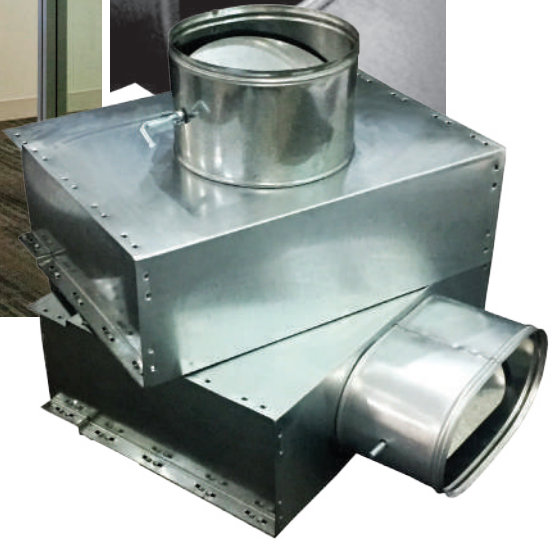




PB *Plenum Box*





Introduction

An essential part in any ventilation system, Prudent Aire Plenum Box are often the most preferred choice for connecting terminals to ducting.

With versatile design, Prudent Aire Plenum Box is highly customizable in terms of sizes and profiles.

GENERAL FEATURES

- Highly customizable size and profile
- Insulation choice: 3, 6, 9 & 12 mm thickness
- Top and side enteries configuration available
- Standard side opening with round butterfly OBD and 3 mm Pe foam insulation

MATERIALS

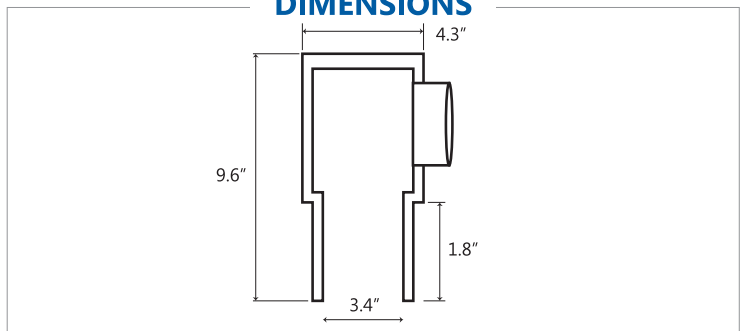
- Box construction : 0.5mm Galvanised Steel
- Insulation : 3, 6, 9 & 12 PE foam

SURFACE FINISHING

- Standard no-coating



DIMENSIONS



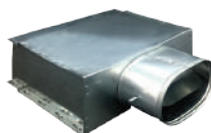
STANDARD OPENING SIZE AVAILABLE

Size Ordering (Inch)	Round mm	Oval mm
4	90	-
5	115	-
6	140	170x90
8	190	232x120/250x90
10	238	312x120
12	292	390x120
14	342	410x90/470x120
16	392	546x120

TYPES OF PRODUCTS



Side Opening



Top Opening



2 Collar