

PROJECT TITLE : _____
OWNER : _____
CONSULTANT : _____
CONTRACTOR : _____
LOCATION : _____

PROFLEX (S) AIRE PTE LTD

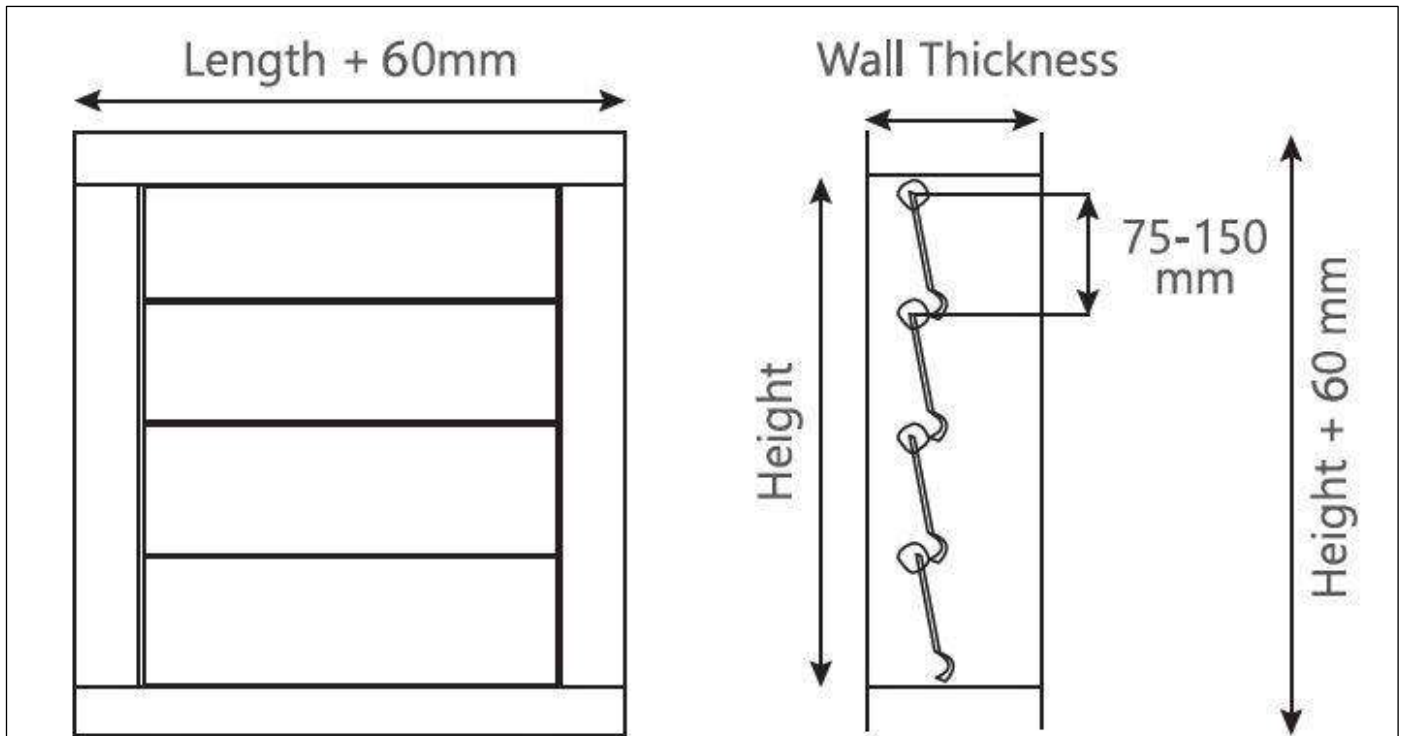
PRODUCT SUBMISSION

DETAIL

Doc No.: 2024-SUB-022
(updated on 15-04-2024)

BRAND : PRUDENT AIRE

PRODCUT DETAIL: PRESSURE RELIEF DAMPER (MODEL: PRD)



NOTES:

1. Standard Galvanised Steel (GI) Constructed
2. Dimension Detail
 - a. Frame:
 - Thickness : 0.8mm
 - b. Blade
 - Single V Grooves (Parallel Blade)
 - Counter Weight on the Blade
 - For Length < 600mm,
 - Material : Aluminium
 - Thickness : 0.5mm
 - For Length > 600mm,
 - Material : Galvanised Steel (GI)
 - Thickness : 0.5mm

Flange

- Slip Joint
- TDF Joint
- Others, _____