

PROJECT TITLE : _____
 OWNER : _____
 CONSULTANT : _____
 CONTRACTOR : _____
 LOCATION : _____

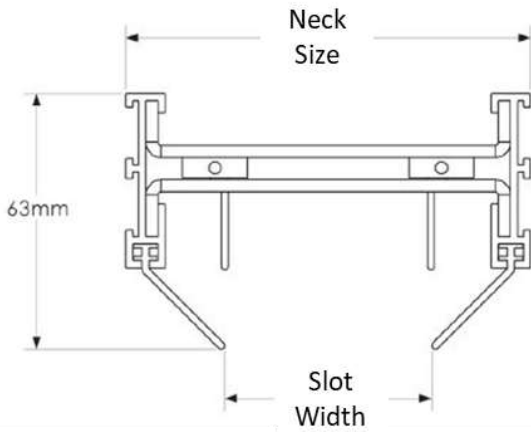
PRODUCT SUBMISSION

DETAIL

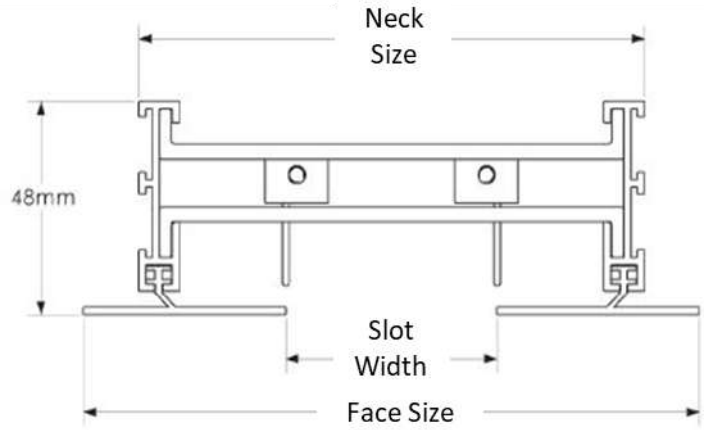
Doc No.: 2024-SUB-020
 (updated on 15-04-2024)

BRAND : PRUDENT AIRE

PRODCUT DETAIL: JET SLOT DIFFUSER (MODEL: JS)



ANGULAR TYPE



FLAT TYPE

Dimension Detail

	Slot Size	Slot Width (mm)	Neck Size (mm)
<input type="checkbox"/>	1 Slot	25	79
<input type="checkbox"/>	1 Slot	38	100
<input type="checkbox"/>	1 Slot	51	128

Dimension Detail

	Slot Size	Slot Width (mm)	Neck Size (mm)	Face Size (mm)
<input type="checkbox"/>	1 Slot	25	95	105
<input type="checkbox"/>	1 Slot	38	108	118
<input type="checkbox"/>	1 Slot	51	121	131

NOTES:

- Standard Aluminium Constructed

Color

- White (RAL 9010) [Standard]
 Others, _____

Accessories

- Plenum Box (PB)
 Others, _____