

Description

PA Fire Damper – Partition Wall Mounted [Model: PFD-S(C)] is standard constructed from galvanised steel (GI) and designed to prevent the spreading of fire in the ducting system during a fire up to 2 hours. When the temperature in the ductwork is higher than 74 Degrees Celsius, the fusible link will break and the blade will close down by gravity to prevent the fire from spreading.

PFD-S(C) Sizing

Minimum Single Module – 100mm wide x 100mm height

Maximum Single Module – 600mm wide x 1200mm height

Maximum Size (Multiple Module) – 1200mm wide x 1200mm height
(2x1 module).

Installation Guideline

1. Opening Clearance

The opening in the partition wall shall be larger than the damper/sleeve assembly to permit installation or expansion. Insulation thickness must be exact with opening clearance. Recommended insulation to be used at the opening clearance is rockwool.

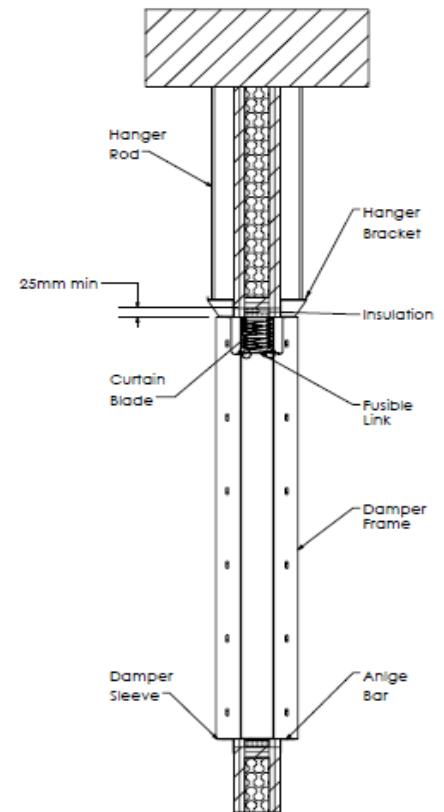
Opening Size Calculation

Wide Opening – Damper Wide + 50mm

Height Opening – Damper Height + 50mm

2. Installation Detail

- A. Must ensure the position of the fusible link is on the top position and all the fire damper stickers are recorded for future RI inspection.
- B. Remove the mounting angles on one side of the fire damper, and insert the fire damper into the hole opening.
- C. Install 25mm rockwool into the gap between the hole and the fire damper.
- D. Apply fire-rated putty around the rockwool and the wall to fill all the small gaps.
- E. Cover the mounting angle and ensure all the rockwool and wall are fully covered by the mounting angle.
- F. Fully tighten all the bolts and nuts until the flange is fully flashed to the wall.
- G. Install the hanging rod at the top flanges on both side
 - Size 600mm wide and below - 1 rod
 - Size 601mm to 1200mm wide - 2 rods
- H. Remove all the unused material and ensure no blockage within the fire damper body, to ensure the fire damper blade can fully closed up when there is a fire.



PARTITION WALL FIRE DAMPER

