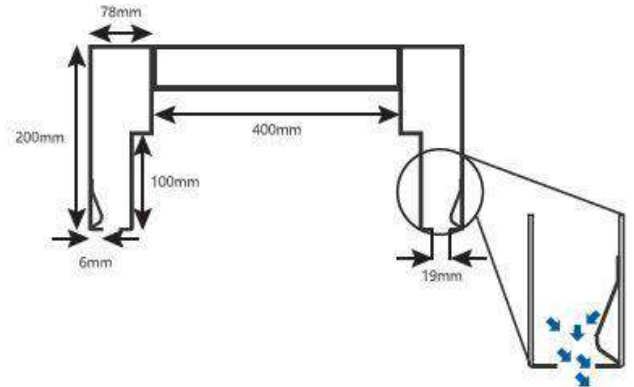
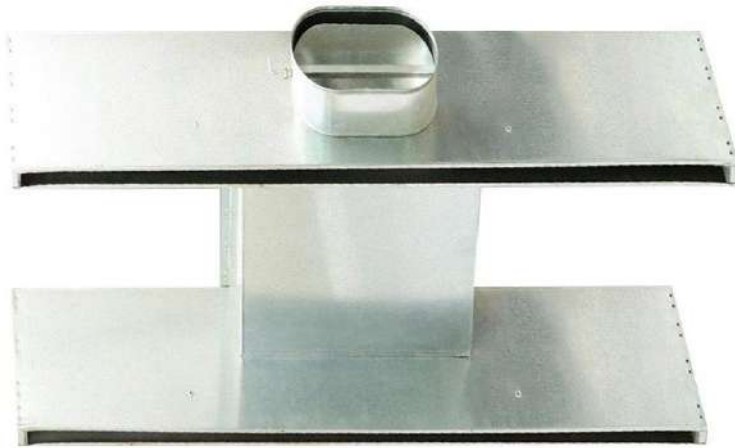


PROFLEX (S) AIRE PTE LTD

LIGHT TROFFER DIMENSION DETAIL

DOC NO.: 2024-DIM-031



PRODUCT DIMENSION DETAIL

PRODUCT	:	AIR LIGHT TROFFER
MODEL	:	ALT
BRAND	:	PRUDENT AIRE

FRAME

MATERIAL	:	GALVANIZED STEEL
THICKNESS	:	0.45mm

DEFLECTOR

MATERIAL	:	GALVANIZED STEEL
THICKNESS	:	0.9mm

SIZING

		CAN CUSTOM MADE BASED ON THE SAMPLE
--	--	-------------------------------------