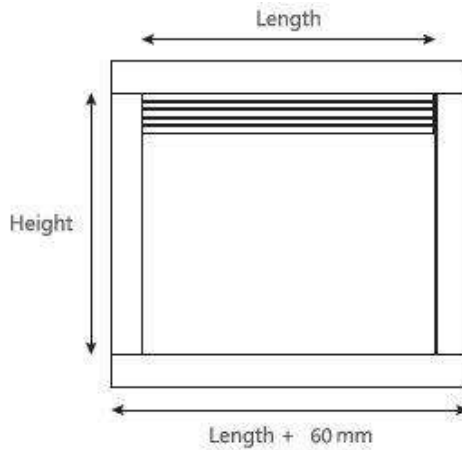
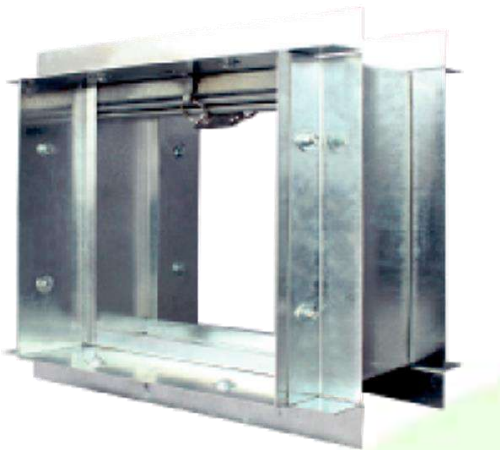


PROFLEX (S) AIRE PTE LTD

BRICK WALL FIRE DAMPER DIMENSION DETAIL

DOC NO.: 2024-DIM-027



PRODUCT DIMENSION DETAIL

PRODUCT	:	FIRE DAMPER – BRICK WALL
MODEL	:	PFD-S (C)
BRAND	:	PRUDENT AIRE

FRAME

MATERIAL	:	GALVANIZED STEEL
THICKNESS	:	1.2mm

FLANGE

MATERIAL	:	GALVANIZED STEEL
THICKNESS	:	1.2mm

BLADE FRAME

MATERIAL	:	GALVANIZED STEEL
THICKNESS	:	1.2mm

DAMPER BLADE

MATERIAL	:	GALVANIZED STEEL
THICKNESS	:	1.0mm

FUSIBLE LINK

RATING	:	74 DEG C
--------	---	----------

PROFLEX (S) AIRE PTE LTD

BRICK WALL FIRE DAMPER DIMENSION DETAIL

DOC NO.: 2024-DIM-027

FIRE RATING

RATING	:	4 HOURS FIRE RATED
--------	---	--------------------

SIZING

SINGLE MODULE	:	750mm x 1000mm
MAXIMUM MODULE	:	3000mm x 3000mm (4x3 MODULE)

TYPE OF JOINT

		ANGLE JOINT ONE SIDED GRILLE MOUNTED / ONE SIDE ANGLE JOINT
--	--	--