



**BJD** *Ball Jet Diffuser*





## Introduction

Used in areas where ceiling air distribution solutions are impossible, Prudent Aire Ball Jet Diffuser (BJD) is capable in directing large volume of air over longer distances. Design primary for spot cooling and high/ long air throw, the jet comes with adjustable flow deflection up to 45° multi-directional and a built-in-hit and mass damper.

## CONSTRUCTIONS & MATERIALS

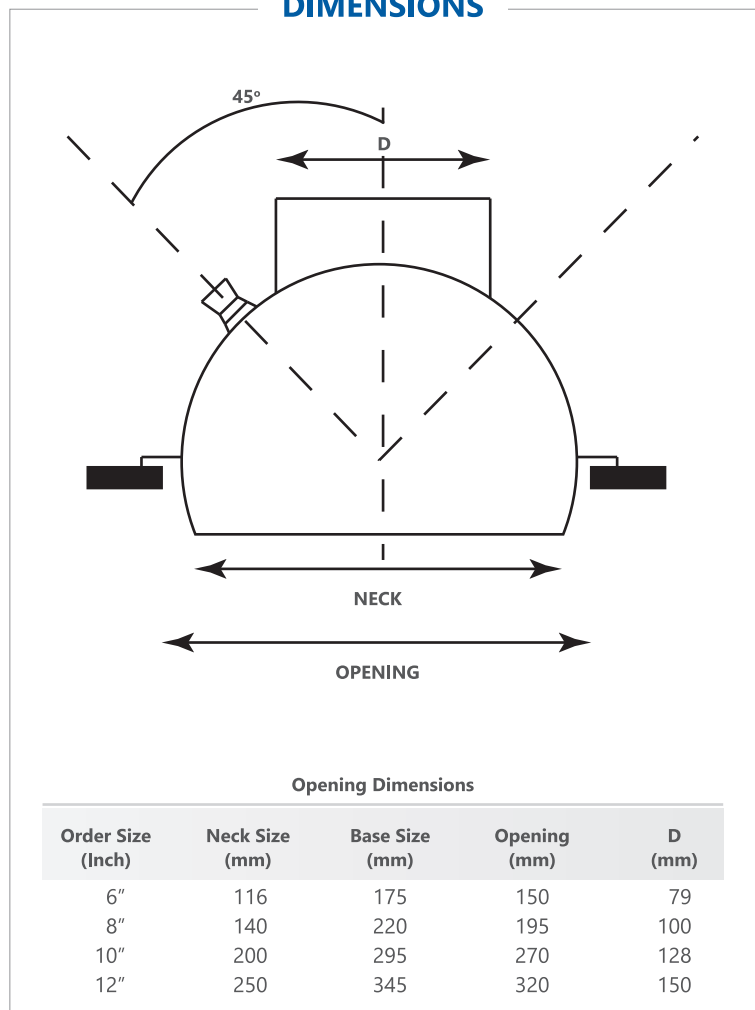
- Capability of :
  - i) Spot cooling
  - ii) High/long air throw
- Adjustable flow deflection up to 45° multi-directional



Extruded Aluminium



## DIMENSIONS



## TECHNICAL PERFORMANCE DATA

Grille Neck Size, mm	Air Velocity, m/s	NR20		NR30		NR40		NR50	
		2.0	3.0	4.0	5.0	6.0	7.0	8.0	10.0
6" Dia	Airflow Volume, m <sup>3</sup> /hr	130	196	262	323	393	460	525	655
	Throw Distance, m	2.6	4.0	5.5	5.8	8.2	9.6	11	15.2
	Total Pressure Loss, Pa	7	15	17	25	32	48	66	86
	Noise Rating (NR)	-	26	30	36	43	49	53	56
8" Dia	Airflow Volume, m <sup>3</sup> /hr	233	350	467	583	700	816	933	1166
	Throw Distance, m	3.8	5.6	7.4	9.2	11	13	14.7	20.5
	Total Pressure Loss, Pa	7	15	17	25	32	48	66	86
	Noise Rating (NR)	-	26	30	36	43	49	53	56
10" Dia	Airflow Volume, m <sup>3</sup> /hr	365	548	730	913	1095	1280	1460	1825
	Throw Distance, m	4.6	7.0	9.5	11.6	13.8	16.2	18.5	25.4
	Total Pressure Loss, Pa	7	15	17	25	32	48	66	86
	Noise Rating (NR)	-	24	28	33	38	42	46	50
12" Dia	Airflow Volume, m <sup>3</sup> /hr	526	790	1052	1315	1580	1842	2105	2632
	Throw Distance, m	5.6	8.4	11.2	14	16.8	19.5	22.2	31
	Total Pressure Loss, Pa	7	15	17	25	32	48	66	86
	Noise Rating (NR)	-	24	29	33	38	42	46	50

## TECHNICAL SPECIFICATION

### Frame Construction

1. Frame to be in extruded aluminum. Frame thickness should be in minimum 1.0mm thick.

### Nozzle Construction

1. Nozzle to be in extruded aluminum. Thickness should be in minimum 1.0mm thick.
2. Nozzle internal aerodynamic designed to compress the airflow to create a jet throw performance.
3. Nozzle to be adjustable up to 45° multi-direction.

### Finishing

1. Finishing should be in anodized aluminum, unless otherwise stated.

### Performance

1. Ball Jet Diffuser's cores are adjustable for directional air distribution.
2. Ball Jet Diffusers are designed to be high wall mounted or ceiling mounted. Round duct connection with damper should to be installed at the neck of the diffuser for volume control purpose, unless otherwise stated.
3. Ball Jet Diffuser's aerodynamic design is able to produces a jet throw without compromising noise level.





# BJD | Ball Jet Diffuser

## Products Range

- Grilles 
- Diffusers 
- Dampers 
- Fire & Smoke Protection 
- VAV 
- Others 
- Accessories 



**Prudent Aire Engineering Sdn Bhd** 657301-P  
Lot 2102, Jalan KPB12, Off Jalan Suria Park 1, Kg Baru Balakong,  
43300 Seri Kembangan, Selangor Darul Ehsan, Malaysia  
Tel : +603-9100 3858 (HL) / 9101 3869 / 9101 5868  
Fax : +603-9100 4868 Email : sales@prudentaire.com

[www.prudentaire.com](http://www.prudentaire.com)