

PROJECT TITLE : \_\_\_\_\_  
 OWNER : \_\_\_\_\_  
 CONSULTANT : \_\_\_\_\_  
 CONTRACTOR : \_\_\_\_\_  
 LOCATION : \_\_\_\_\_

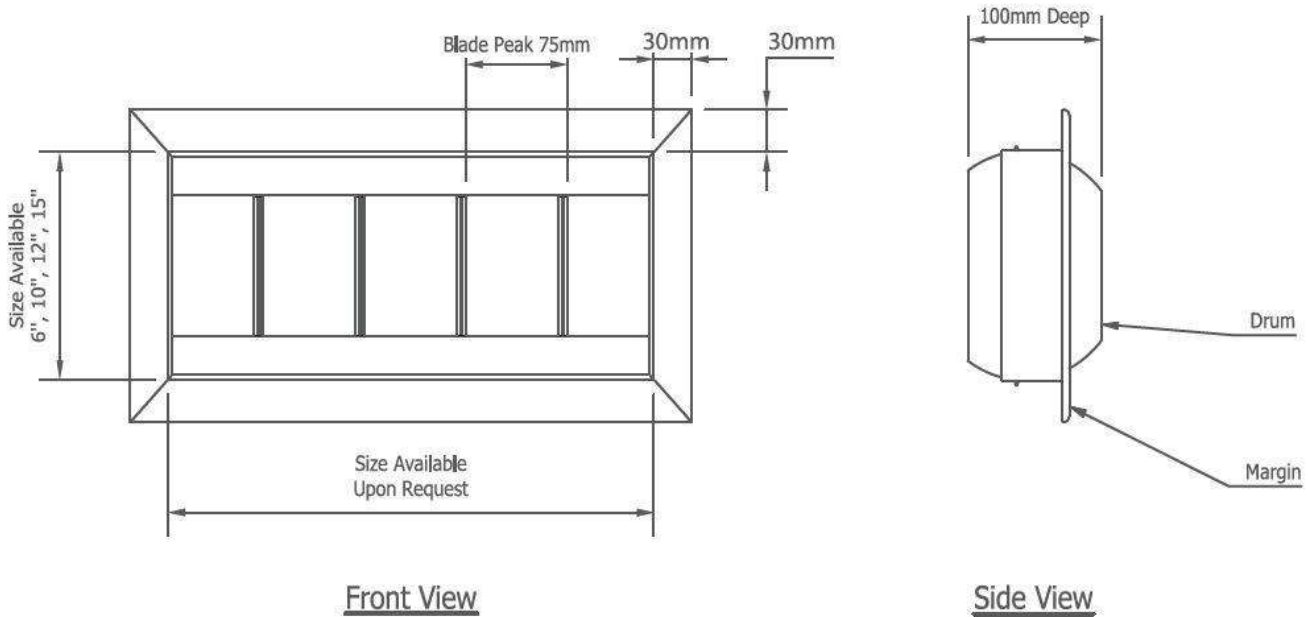
**PRODUCT SUBMISSION**

**DETAIL**

Doc No.: 2024-SUB-016  
 (updated on 15-04-2024)

**BRAND : PRUDENT AIRE**

**PRODCUT DETAIL: DRUM LOURVE (MODEL: DL)**



**NOTES:**

1. Standard Aluminium Constructed
2. Dimension Detail
  - a. Face Plate:
    - Size : 30mm
    - Thickness : 1.5mm
  - b. Drum:
    - Thickness : 1.5mm
  - c. Drum:
    - Thickness : 1.5mm
- 3.

**Height Available**

**Color**

**Accessories**

6" (150mm)

White (RAL 9010) [Standard]

Opposed Blade Damper (OBD)

10" (250mm)

Others, \_\_\_\_\_

Others, \_\_\_\_\_

12" (300mm)

15" (375mm)