

PROJECT TITLE : _____
 OWNER : _____
 CONSULTANT : _____
 CONTRACTOR : _____
 LOCATION : _____

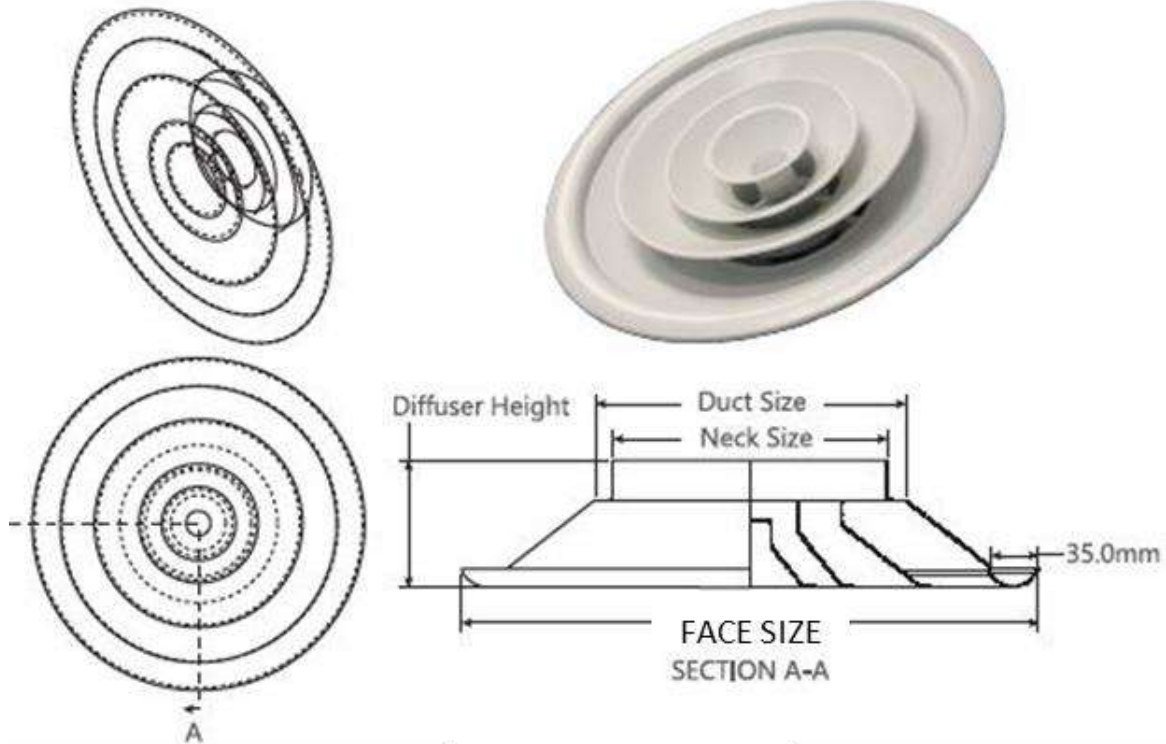
PRODUCT SUBMISSION

DETAIL

Doc No.: 2024-SUB-014
 (updated on 14-04-2024)

BRAND : PRUDENT AIRE

PRODCUT DETAIL: ROUND DIFFUSER (MODEL: RD)



NOTES:

1. Standard Aluminium Constructed
2. Dimension Detail
 - a. Outer Core:
 - Thickness : 1.2mm
 - b. Centre Core:
 - 3 Layers
 - Thickness : 1.0mm

Centre Core

- Round Diffuser (STANDARD) Plate Type (RDP)



Dimension Detail

- Neck Size 196mm / Face Size 412mm
 Neck Size 240mm / Face Size 476mm
 Neck Size 296mm / Face Size 508mm
 Neck Size 346mm / Face Size 600mm

Color

- White (RAL 9010) [Standard]
 Others, _____

Accessories

- Round Fan Blade Damper (RFBD)
 Others, _____