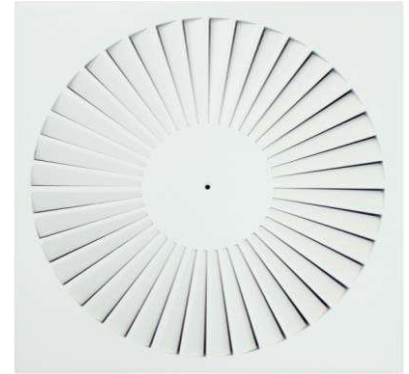


Description

PA Swirl Diffuser (Model: SF) is designed for Supply Air application for AC System. It is suitable for ceiling mounted. Besides standard constructed from extruded galvanized steel (GI), stainless steel material is available upon request. Finishing for SF is standard powder coated in white colour, other colours are available upon request.



Installation Guideline

1. Accessories Connection

List of available accessories for SF:

- Adaptor Box (ADR)
- Fan Blade Damper (FBD)

All accessories used for the SF must secure and tighten to the back of the SF with the use of a minimum of two M5 self-tapping screws on each side of the neck of the SF before the installation work can be carried out

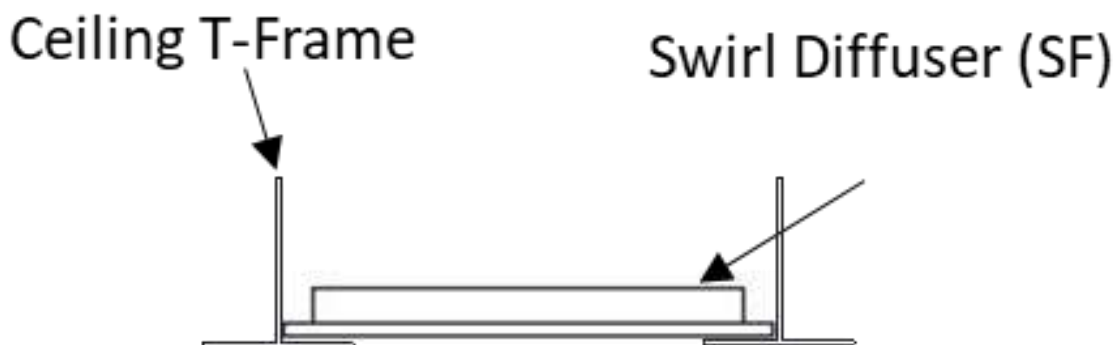
2. Opening Clearance

The hole opening on the wall or ceiling shall be larger than the combination of the SF's neck with its respective accessories combination to permit the installation of the system and the gap should be within 5mm of the overall size of the SF's neck and its accessories combination.

3. Installation Detail

A. Ceiling T-Frame Laying (Ceiling Mounted)

The SF will direct rest on the ceiling T-Frame while the back of the SF is tightened to the concrete slab or the main framework of the ceiling frame above the ceiling with the use of a metal wire. This is to ensure that the SF will not drop and cause any accidents after the installation work is completed.

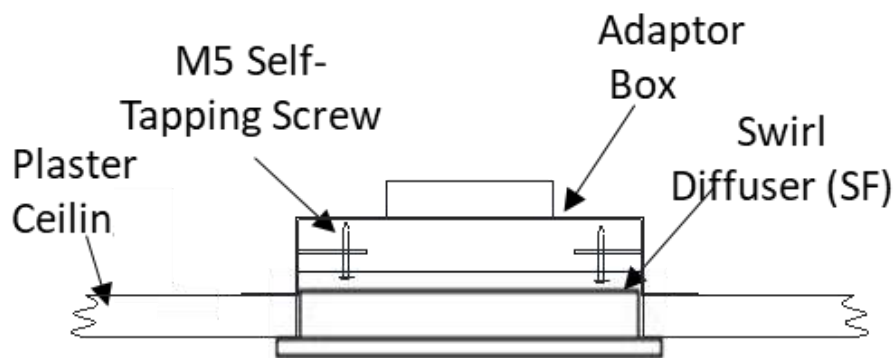


B. Plaster Ceiling Mounting (Ceiling Mounted)

DUCTED RETURN

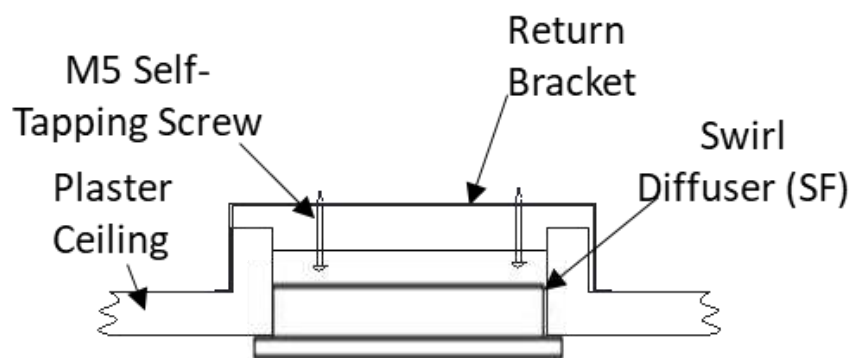
For ducted return, the specially made adaptor box with an additional secure bracket must pre-installed above the ceiling before the closure of the plaster ceiling. A marking should be made to indicate the location of the adaptor for the ease of future work.

Once the plaster ceiling dries up and is ready for installation work, open the hole using either a manual or electrical cutting tool based on the location of the adaptor box. After that, the user can secure the SF to the bracket of the adaptor box with the use of an M5 self-tapping screw and tighten it until the surface of the SF is flush with the ceiling.



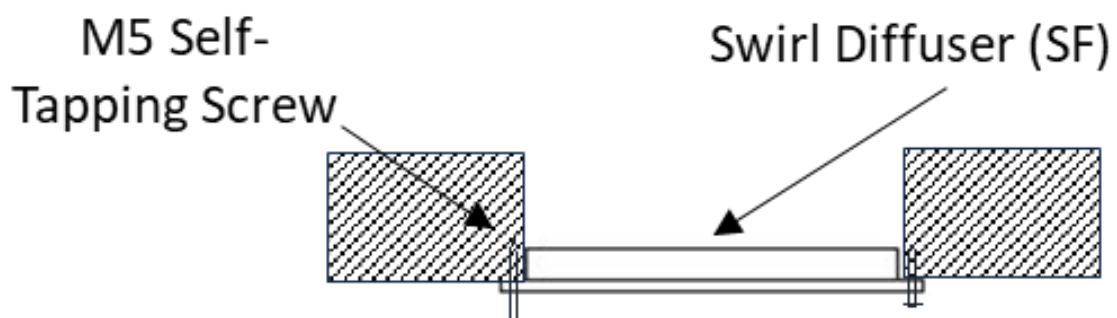
CEILING RETURN

For ceiling return, the user can directly make a hole on the plaster ceiling based on the neck of the SF. Put the return bracket on the ceiling and direct secure the SF to the return bracket with the use of an M5 self-tapping screw and tighten it until the surface of the SF is flush with the ceiling.



C. Countersunk Screw Mounting (For Both Ceiling & Wall Mounted)

After insert the SF into the opening hole, direct secure the SF with the use of an M5 countersunk screw on the frame of the SF tighten it until the surface of the SF is flush with the ceiling or wall.



D. Concealed Mounting (For Both Ceiling & Wall Mounted)

A ledge must be added for installing bracket in either drywall, sheet metal or angle form. After insert the SF into the opening hole, secure the SF into the bracket with use of an M5 self-tapping screw and tighten it until the surface the surface of the SF is flush with the ceiling or wall

