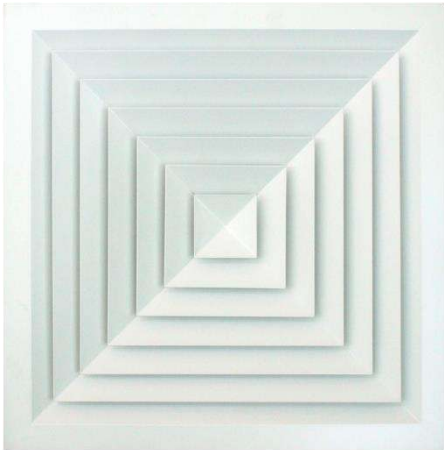


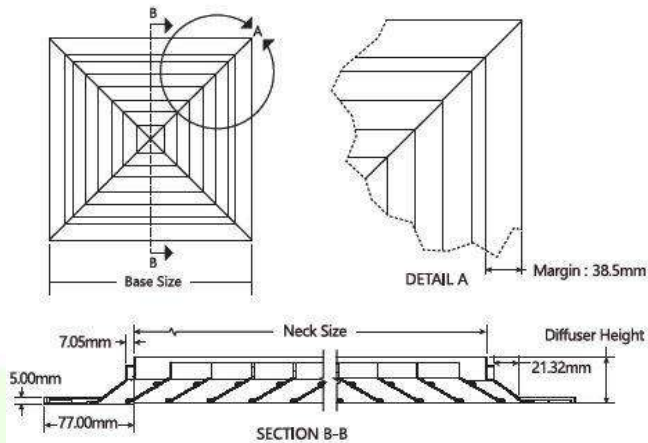
# PROFLEX (S) AIRE PTE LTD

## CEILING DIFFUSER DIMENSION DETAIL

DOC NO.: 2024-DIM-010



4 WAY DIFFUSER



## PRODUCT DIMENSION DETAIL

PRODUCT :	CEILING DIFFUSER
MODEL :	CD
BRAND :	PRUDENT AIRE

### FRAME

MATERIAL :	ALUMINIUM STAINLESS STEEL
THICKNESS :	0.9mm
MARGIN :	38.5mm
HEIGHT :	25mm

### CORE

MATERIAL :	ALUMINIUM STAINLESS STEEL
THICKNESS :	0.9mm
LAYER :	6 LAYERS

### SIZE

STANDARD SIZE :	300mmx300mm 450mmx450mm 600mmx600mm
-----------------	---

# PROFLEX (S) AIRE PTE LTD

CEILING DIFFUSER DIMENSION DETAIL

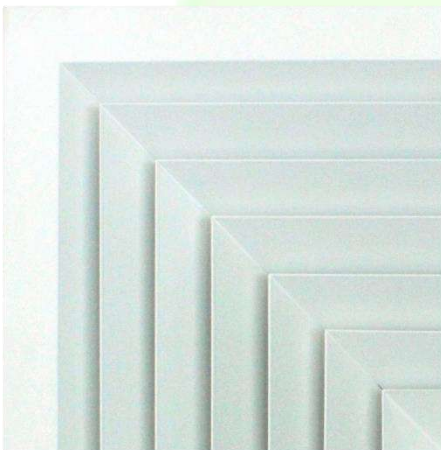
DOC NO.: 2024-DIM-010

## SPECIAL DESIGN

	2WAY (TYPE A ) 2 WAY (TYPE B) 3 WAY DOUBLE DEFLECTION TYPE (DDCD) PLATE TYPE (CDP)
--	--

## AVAILABLE ACCESSORIES

	ADAPTOR COLLAR ADAPTOR COLLAR WITH FAN BLADE DAMPER OPPOSED BLADE DAMPER
--	--



2 WAY DIFFUSER (TYPE A)



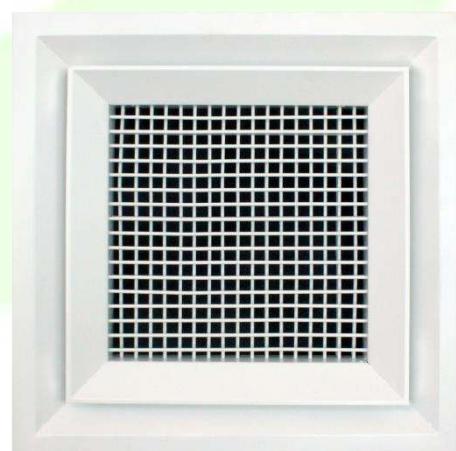
2 WAY DIFFUSER (TYPE B)



3 WAY DIFFUSER



CEILING DIFFUSER (PLATE TYPE) [CDP]



CEILING DIFFUSER (DOUBLE DEFLECTION)  
[DDCD]