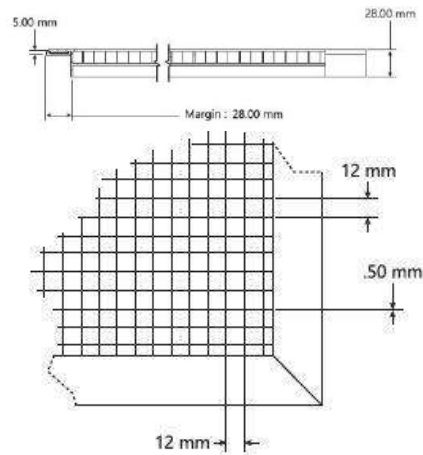
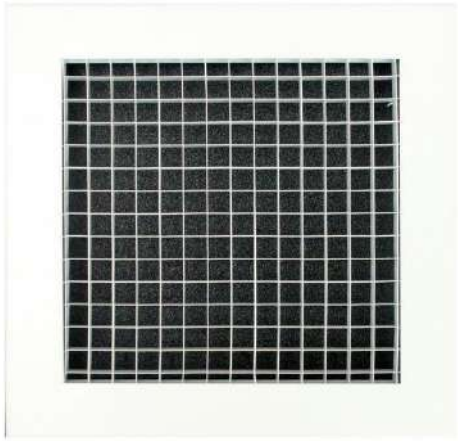


PROFLEX (S) AIRE PTE LTD

EGG CRATE GRILLE DIMENSION DETAIL

DOC NO.: 2024-DIM-002



PRODUCT DIMENSION DETAIL

PRODUCT	: EGG CRATE GRILLE
MODEL	: EG
BRAND	: PRUDENT AIRE

FRAME

MATERIAL	: ALUMINIUM STAINLESS STEEL
THICKNESS	: 0.9mm
MARGIN	: 28mm(30mm)
HEIGHT	: 28mm

CORE

MATERIAL	: ALUMINIUM STAINLESS STEEL PVC
THICKNESS	: 0.5mm
SIZE	: 12mm x 12mm x 12mm

SPECIAL DESIGN

	DOUBLE MARGIN ROUND TYPE
--	-----------------------------

AVAILABLE ACCESSORIES

	OPPOSED BLADE DAMPER (OBD) ADAPTOR COLLAR PLENUM BOX c/w COLLAR
--	---



EGG CRATE (DOUBLE MARGIN)



ROUND EGG CRATE